



Automotive & Industrial Products

Hose Reels

*Retractable Hose Reels
Industrial Hose Reels
Manual Hose Reels*



CA-REELS



Hose Reels

Legacy™ is your hose reel source for automotive & industrial applications. Both manually operated & retractable hose reels are offered with models available for air, water, potable water, cold water, hot water, oxy/acetylene & oxy/fuel applications as well as grease & oil transfer systems.

Retractable Hose Reels

Pages: 2 - 5

Industrial Hose Reels

Pages: 6 - 9

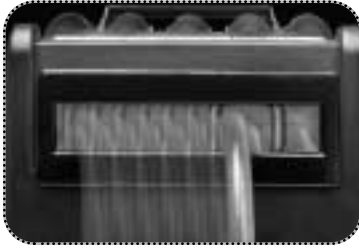
Manual Hose Reels

Pages: 10 - 11

Retractable Hose Reels

LEVELWIND™ SERIES

Legacy is proud to announce the next generation of retractable hose reels. Over two decades of industry knowledge and experience goes into the development of this series of reels. Featuring LEVELWIND™ TECHNOLOGY, a layering system that makes hose retraction smooth and easy



LEVELWIND™ TECHNOLOGY

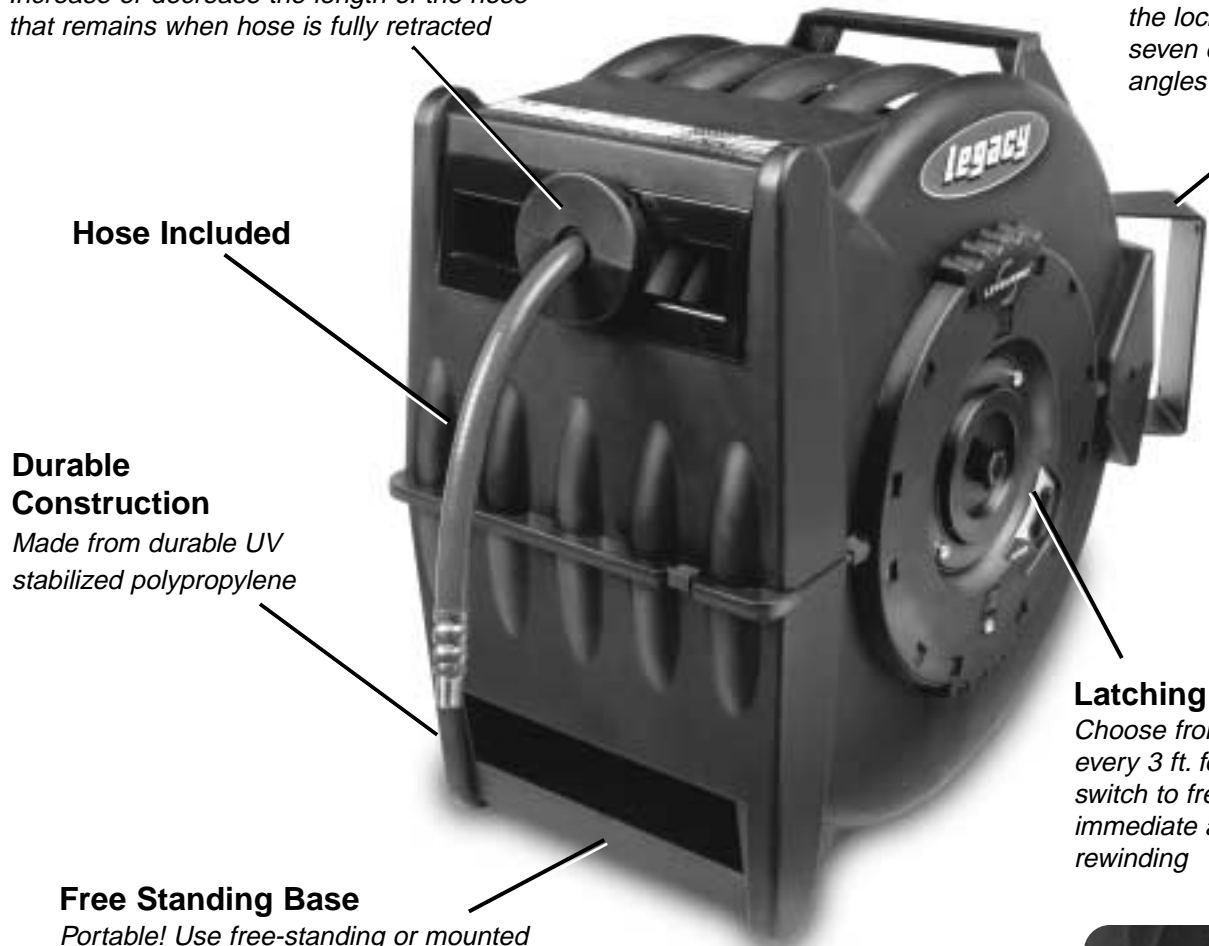
For a unique winding system that automatically layers the hose back and forth across the reel. This ensures that the hose is coiled smoothly, easily ... everytime!

Adjustable Hose Stopper

Increase or decrease the length of the hose that remains when hose is fully retracted

Seven Position Locking Bracket

These reels can swivel freely on a mounting bracket up to 130° or can be locked into place using the locking brace. Up to seven different locking angles can be utilized



Hose Included

Durable Construction

Made from durable UV stabilized polypropylene

Latching Mode Switch

Choose from latching hose every 3 ft. for extended use or switch to free run for immediate automatic rewinding

Free Standing Base

Portable! Use free-standing or mounted on wall or ceiling ... flat base allows reel to rest on ground. Built-in handle for carrying ease!

Extra large swivel

A 3/4 in. swivel reduces flow restrictions and allows for maximum flow





Models: L8305, L8306, L8310

Ideal for air tools



Model L8335

Ideal for air tools with higher CFM requirements. Converts easily to water applications

Air Hose Reels:

Model	Application	Hose		Max. W.P.	Temp. Range (F°)	Lead-in Hose	Discharge Hose
		Size	Material				
L8305	Compressed Air	3/8 in. x 50 ft.	P.V.C.	350 PSI	0° to 150°	¼ in. MNPT x ¾ in.-11½ FEMALE GHT	¼ in. MNPT
L8306	Compressed Air	3/8 in. x 75 ft.	P.V.C.	350 PSI	0° to 150°	¼ in. MNPT x ¾ in.-11½ FEMALE GHT	¼ in. MNPT
L8310	Compressed Air	3/8 in. x 100 ft.	P.V.C.	350 PSI	0° to 150°	¼ in. MNPT x ¾ in.-11½ FEMALE GHT	¼ in. MNPT
L8335	Air / Water	½ in. x 50 ft.	P.V.C.	350 PSI	0° to 150° †	½ in. MNPT x ¾ in.-11½ FEMALE GHT ††	½ in. MNPT ††

Reel inlet: ¾ in.-11 MALE GHT (Model L8335 includes a garden hose adapter for both Discharge & Lead-in hoses)

MODEL L8335: † Temperature range for water application to 40° to 140° †† Garden hose adapters included for discharge & lead-in hoses



Models: L8347

For hot wash down applications where maximum water temperature reaches 195°



Model L8349

Ideal for drinking water and general cold wash down applications

Water:

Model	Application	Hose		Max. W.P.	Temp. Range (F°)	Lead-in Hose	Discharge Hose
		Size	Material				
L8347	Hot Water	5/8 in. x 50 ft.	P.V.C.	140 PSI	0° to 195°	¼ in. MNPT x ¾ in.-11½ FEMALE GHT	¼ in. MNPT
L8349 †	Cold Water	5/8 in. x 50 ft.	P.V.C.	140 PSI	40° to 140°	¼ in. MNPT x ¾ in.-11½ FEMALE GHT	¼ in. MNPT
L8346	Garden Reel	5/8 in. x 50 ft.	P.V.C.	140 PSI	40° to 140°	¼ in. MNPT x ¾ in.-11½ FEMALE GHT	¼ in. MNPT

Reel inlet: ¾ in.-11 MALE GHT

† Model L8349 is designed for safe drinking water / food service applications



Models: L8363

Oxy / Acetylene applications



Model L8366

For Oxy / Fuel "T" Grade applications

Welding Reels:

Model	Application	Hose		Max. W.P.	Lead-in Hose	Discharge Hose
		Size	Material			
L8363	Oxy / Acetylene	¼ in. x 50 ft.	Reinforced Rubber Twin Hose	200 PSI	9/16 in. FUNF	9/16 in. FUNF
L8366	Oxy / Fuel †	¼ in. x 50 ft.	Reinforced Rubber Twin Hose	200 PSI	9/16 in. FUNF	9/16 in. FUNF

Reel inlet: 9/16 in. FUNF

†Oxy Fuel is designed for Map, Propane and Natural Gases

Accessories

LEVELWIND™ SERIES

LEVELWIND™ SERIES reels come standard with a lead-in hose and a Wall & Ceiling mount bracket. If the installation requires it, 5 ft. & 10 ft. lead-in hose lengths are available separately as well as the L8300-B Bench / High Wall mounting bracket.

Lead-in Hoses:

Model	Description
L8305LI	3 ft. lead-in hose for L8305, L8306 & L8310
L8305LI-10	10 ft. lead-in hose for L8305, L8306 & L8310
L8335LI	3 ft. lead-in hose for L8335
L8335LI-10	10 ft. lead-in hose for L8335
L8347LI	3 ft. lead-in hose for L8347
L8347LI-10	10 ft. lead-in hose for L8347
L8349LI	3 ft. lead-in hose for L8349
L8349LI-10	10 ft. lead-in hose for L8349
L8363LI	5 ft. lead-in hose for L8363
L8363LI-10	10 ft. lead-in hose for L8363
L8366LI	5 ft. lead-in hose for L8366
L8366LI-10	10 ft. lead-in hose for L8366



All reels include a 3 ft. lead-in hose

Brackets:

Model Description

L8300-W † Mounting Bracket for wall & ceiling

L8300-B Mounting Bracket for bench & high wall

† Model L8300-W comes standard with all reels

Wall Mount

Model L8300-W



Ceiling Mount

Model L8300-W



Model L8300-W

Wall & Ceiling Mount Bracket

Includes a seven position locking brace. Reel can swivel freely on mounting bracket up to 130° or can be locked into place using the locking brace. Up to seven different locking angles can be utilized. Comes standard with all LEVELWIND™ SERIES reels.

High Wall Mount

Model L8300-B

Maximum recommended height is 13 ft.



Bench Mount

Model L8300-B



Model L8300-B

Bench & High Wall Mount

Includes a seven position locking brace. Reel can swivel freely on mounting bracket up to 360° or can be locked into place using the locking brace. Up to seven different locking angles can be utilized.

Industrial Hose Reels

performance™ series

When it comes to quality and durability, look no further than performance™ series reels! Rugged and dependable, performance™ series reels incorporate heavy gauge steel and corrosion resistant components to withstand the harsh conditions in the work place! These heavy duty auto-rewind metal reels are supplied complete with delivery and lead-in hoses. They can be wall, overhead or vehicle mounted. Backed by outstanding service and a 5-year extended warranty, you can't buy more reliable, efficient hose reels!

Standard Features:

Multi-position guide arm

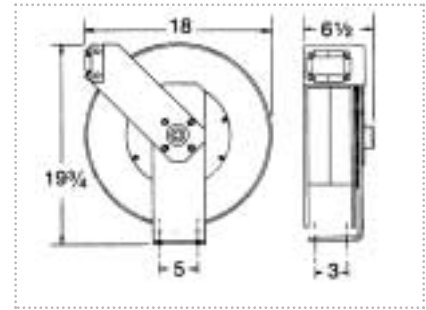
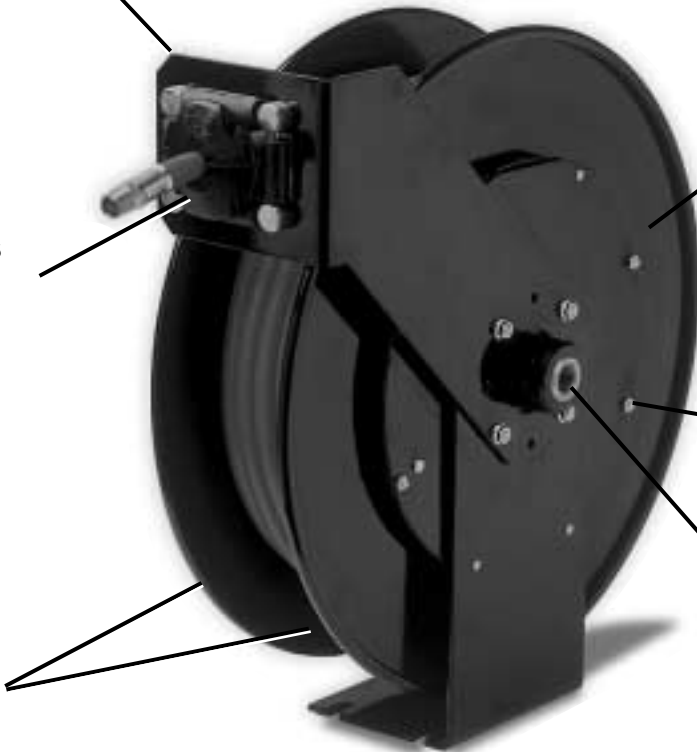
Reel can be mounted on wall, truck, tank or overhead.

Four direction rollers

Made of rugged UHDP.

Narrow size

Only 6-½ in. wide for easy placement and storage.



Heavy-duty steel construction

Built with corrosion resistant components. All welded steel drum

Self-locking fasteners

Avoid loosening where vibration is present.

Spring motor

Fully enclosed and packed with grease. Multi-position latch mechanism.

Specifications:

Model	Application	Hose		Max. W.P.	Max. Working Temp.	Reel Inlet	Hose Outlet	Weight
		Size	Material					
L8500	Compressed Air	¼ in. x 50 ft.	Rubber	350 PSI (17 Bar)	180°F 80°C	½ in. FNPT	¼ in. MNPT	54 LB.
L8505	Compressed Air	3/8 in. x 50 ft.	Rubber	350 PSI (17 Bar)	180°F 80°C	½ in. FNPT	¼ in. MNPT	54 LB.
L8510	Grease	¼ in. x 30	SAE100R2	5000 PSI (344 Bar)	180°F 80°C	½ in. FNPT	¼ in. MNPT	56 LB.
L8515	Grease	¼ in. x 50 ft.	SAE100R2	5000 PSI (344 Bar)	180°F 80°C	½ in. FNPT	¼ in. MNPT	58 LB.
L8515K	Grease	¼ in. x 50 ft.	SAE100R2	5000 PSI (344 Bar)	180°F 80°C	½ in. FNPT	¼ in. MNPT	58 LB.
L8520	Oil	½ in. x 30 ft.	SAE100R1	2000 PSI (138 Bar)	180°F 80°C	½ in. FNPT	¼ in. MNPT	58 LB.
L8525	Oil	½ in. x 50 ft.	SAE100R1	2000 PSI (138 Bar)	180°F 80°C	½ in. FNPT	¼ in. MNPT	60 LB.
L8525K	Oil	½ in. x 50 ft.	SAE100R1	2000 PSI (138 Bar)	180°F 80°C	½ in. FNPT	¼ in. MNPT	60 LB.
L8535	Water	½ in. x 50 ft.	Rubber	200 PSI (14 Bar)	180°F 80°C	½ in. FNPT	¾ in. MNPT Garden Hose	60 LB.

Air Hose Reels:

Model	Application	Hose	
		Size	Material
L8500	Compressed Air	¼ in. x 50 ft.	Rubber
L8505	Compressed Air	3/8 in. x 50 ft.	Rubber

Includes Model L8505LI 3 ft. lead-in for air



Model L8505

Grease Reels:

Model	Application	Hose	
		Size	Material
L8510	Grease Transfer	¼ in. x 30 ft.	SAE100R2
L8515	Grease Transfer	¼ in. x 50 ft.	SAE100R2

Includes Model L8515LI 3 ft. lead-in for grease



Model L8515

Oil Reels:

Model	Application	Hose	
		Size	Material
L8520	Oil Transfer	½ in. x 30 ft.	SAE100R1
L8525	Oil Transfer	½ in. x 50 ft.	SAE100R1

Includes Model L8525LI 3 ft. lead-in for oil



Model L8525

Water Reels:

Model	Application	Hose	
		Size	Material
L8535	Water Transfer	½ in. x 50 ft.	Rubber

Includes Model L8535LI 3 ft. lead-in for water



Model L8535

Model L8515K:

Grease Hose Reel Kit

Save money by purchasing Legacy's Grease Dispensing Reel Kit. Kit Includes:

L8515

Grease Transfer Hose Reel

- $\frac{1}{4}$ in. I.D. x 50 ft.
- Hose: SAE100R2 construction
- 5000 PSI maximum working pressure
- Includes Model L8515LI lead-in hose for grease

LCG1-01

Booster gun with "Z" Swivel

- Can easily boost greasing pressure to over 10,000 PSI on demand
- Incorporates a 360° "Z" swivel assembly for flexibility
- Includes a 3-jaw super grip coupler



Model L8525K:

Oil Hose Reel Kit

Save money by purchasing Legacy's Oil Dispensing Reel Kit. Kit includes:

L8525

Oil Transfer Hose Reel

$\frac{1}{2}$ in. I.D. x 50 ft. ft.

- Hose: SAE100R1 construction
- 2000 PSI maximum working pressure
- Includes Model L8525LI lead-in hose for oil

LCG1-01

Booster gun with "Z" Swivel

- Non-drip Nozzle
- 14 in. flexible extension
- Positive displacement digital meter



Replacement lead-in hoses are available for performance™ series hose reels.

Hose Reel Accessories

performance™ series



Lead-in Hoses:

Model	Description	For Model	Hose Specifications
L8505LI	3 ft. lead-in hose for air	L8500 & L8505	3/8 MNPT x 1/2 MNPT Swivel
L8515LI	3 ft. lead-in hose for grease	L8510, L8515 & L8515K	1/4 MNPT x 1/2 MNPT Swivel
L8525LI	3 ft. lead-in hose for oil	L8520, L8525 & L8525K	1/2 MNPT x 1/2 MNPT Swivel
L8535LI	3 ft. lead-in hose for water	L8535	3/4 Garden Hose x 1/2 MNPT Swivel

Lead-in hoses are supplied standard with all performance™ series reels.

Models: L8501

I Beam Mounting Bracket

Converts standard mounting bracket to attach to I-Beams

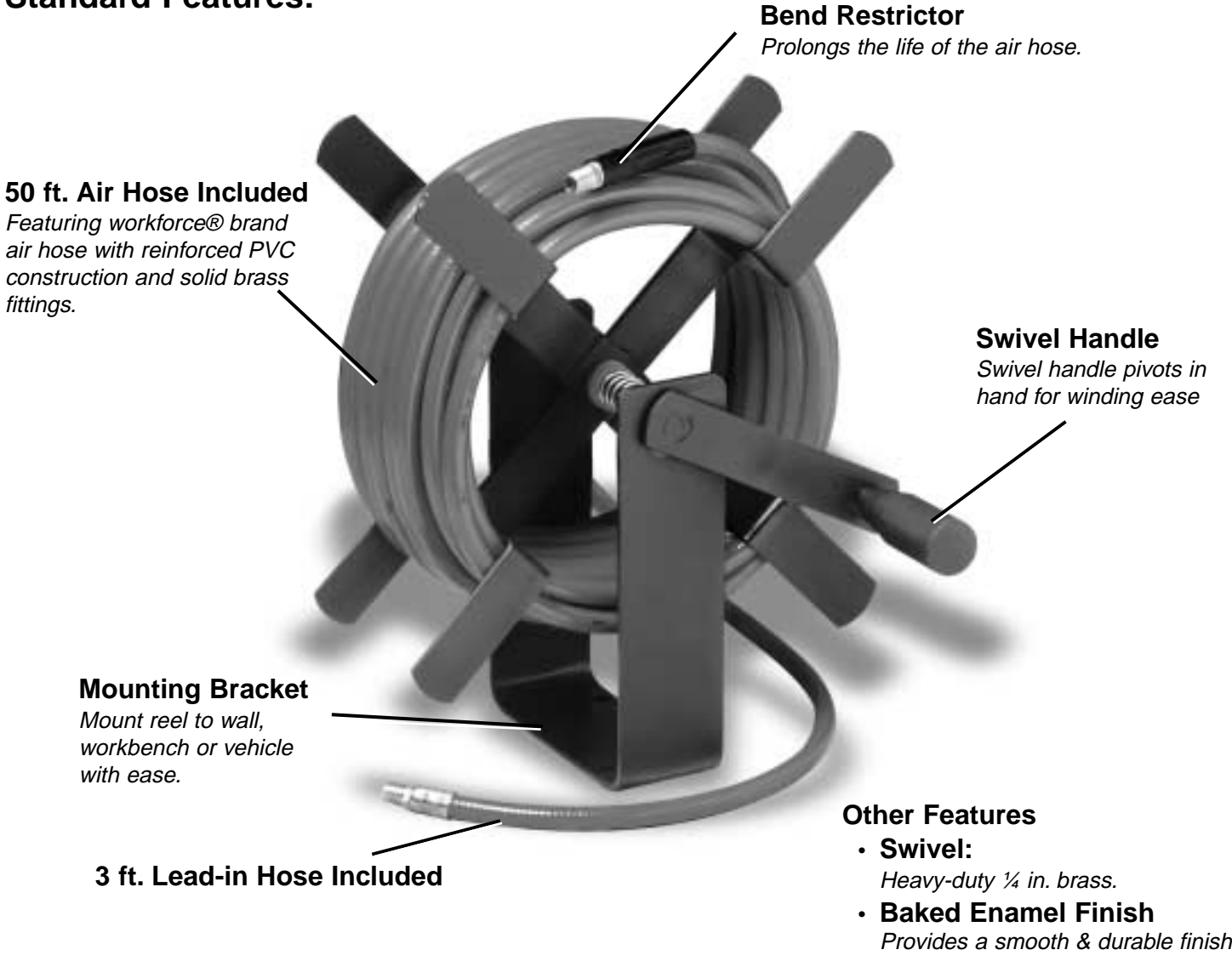


Manual Hose Reels

workforce™ series

workforce™ offers this efficient air hose reel at an affordable price. An air hose assembly and lead-in hose is included with every model making this reel a convenient choice for the end user.

Standard Features:



Specifications:

Model	Hose		Max. W.P.	Reel Inlet	Hose Outlet	Weight	Reel Capacity
	Size	Material					
L8550	3/8 in. x 50 ft.	P.V.C.	350 PSI (17 Bar)	¼ in. MNPT	¼ in. MNPT	17 LB.	100 ft. of 3/8 in. I.D. Hose
L8560	3/8 in. x 100 ft.	P.V.C.	350 PSI (17 Bar)	¼ in. MNPT	¼ in. MNPT	20.5 LB.	100 ft. of 3/8 in. I.D. Hose
L8580	½ in. x 50 ft.	P.V.C.	350 PSI (17 Bar)	¼ in. MNPT	¼ in. MNPT	20 LB.	75 ft. of ½ in. I.D. Hose

NOTE: Dimensions for all models above (H 12 ¾ in. x W 12 ¾ in. D 17 ½ in.)

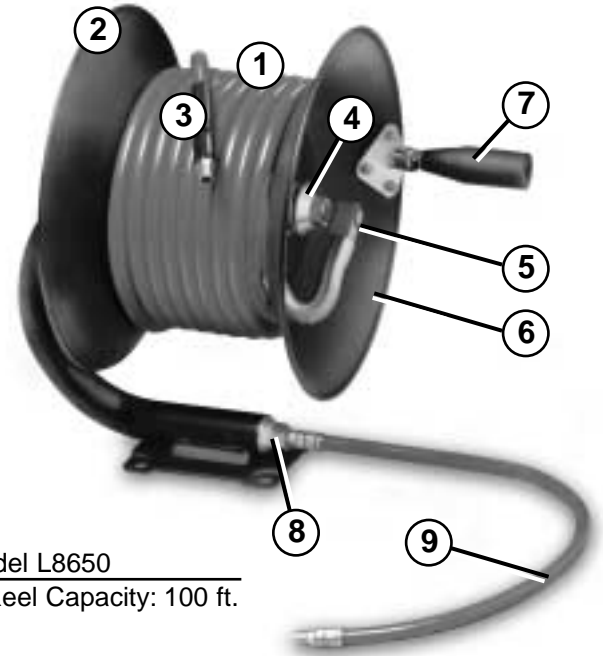
contractor™ series ... designed for the rugged conditions at the job site! These reels are loaded with design features such as tapered spool side walls and easy access inlet connections. With reinforced steel construction, powder coat finish and increased hose capacity, the contractor™ series meets the needs of today's contractor!

Manual Hose Reels

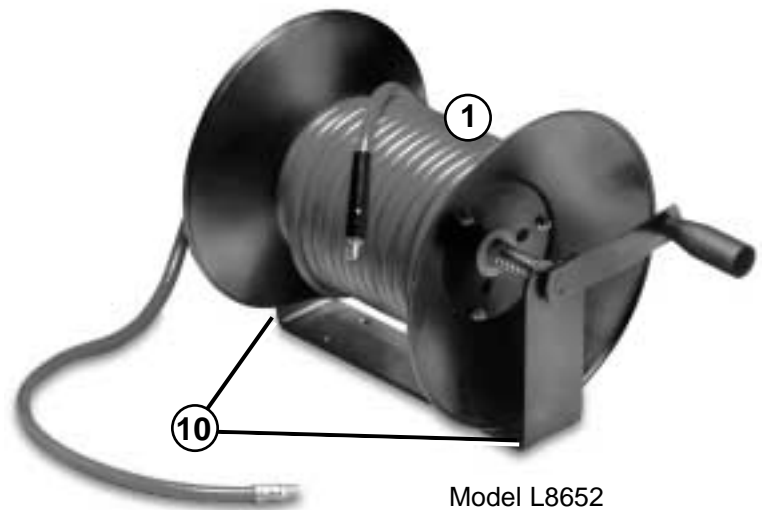
contractors™ series

Standard Features:

- 1. 50 ft. Air Hose Included (Model L8650)
100 ft. Air Hose Included (Model L8652)**
Featuring workforce® brand air hose with reinforced PVC construction and solid brass fittings
- 2. Heavy Duty Drum**
Heavy duty steel reinforced drum. Powder coat paint provides a smooth & durable finish
- 3. Bend Restrictor**
Prolongs the life of the air hose
- 4. Brake**
Keeps hose from unwinding unintentionally
- 5. Inlet Swivel**
Heavy-duty ¼ in. brass
- 6. Tapered Side Walls**
Store more hose in less space
- 7. Swivel Handle**
Swivel handle pivots in hand for winding ease
- 8. Easy Access Inlet Connection (Model L8650)**
Makes installation a breeze
- 9. 3/8 in. ID x 3 ft. Lead-in Hose Included**
- 10. Dual Support (Model L8652)**
Provides extra stability for the big jobs
- 11. Baked Enamel Finish**
Provides a smooth & durable finish
- 12. Mounting Bracket**
Mount reel to wall, workbench or vehicle with ease



Model L8650
• Reel Capacity: 100 ft.



Model L8652
• Reel Capacity: 200 ft.

Specifications:

Model	Hose		Max. W.P.	Reel Inlet	Hose Outlet	Weight	Reel Capacity
	Size	Material					
L8650	3/8 in. x 50 ft.	P.V.C.	350 PSI (17 Bar)	¼ in. MNPT	¼ in. MNPT	19.6 LB.	100 ft. of 3/8 in. I.D. Hose
L8652	3/8 in. x 100 ft.	P.V.C.	350 PSI (17 Bar)	¼ in. MNPT	¼ in. MNPT	22.9 LB.	200 ft. of 3/8 in. I.D. Hose

NOTE: Dimensions for model L8650 (H 15 3/8 in. x W 10 5/8 in. x D 13 1/8 in.), Dimensions for model L8652 (H 13 5/8 in. x W 19 7/8 in. x D 13 in.)



Legacy Manufacturing Company
6281 North Gateway Drive
Marion, Ia 52302

PH: 319.373.7305
800.645.8258

FX: 319.373.7309

www.legacymfg.com

legacy@legacymfg.com

CA-REELS - Printed on 2003/06/01
